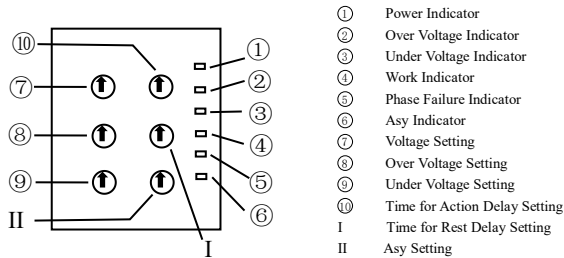


PHASE & VOLTAGE PROTECTION RELAY

Voltage protection relay uses a high-speed and low-power processor as its core. When the power supply line has over-voltage, under-voltage, or phase failure, phase reverse, the relay will cut off the circuit quickly and safely to avoid accidents caused by abnormal voltage being sent to the terminal appliance. When the voltage returns to the normal value, the relay will turn on the circuit automatically to ensure the normal operation of the terminal electrical appliances under unattended conditions.

MODEL & EXPLANATION



- ① Power Indicator
- ② Over Voltage Indicator
- ③ Under Voltage Indicator
- ④ Work Indicator
- ⑤ Phase Failure Indicator
- ⑥ Asy Indicator
- ⑦ Voltage Setting
- ⑧ Over Voltage Setting
- ⑨ Under Voltage Setting
- ⑩ Time for Action Delay Setting
- I Time for Rest Delay Setting
- II Asy Setting

*** Fault Indicator**

Over Voltage : ② On

Under Voltage : ③ On

Phase Loss : ④ On

Phase Seq. : ⑤ On

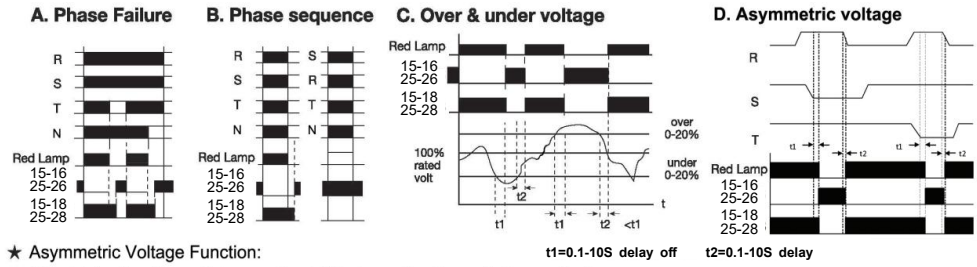
Asy : ⑥ On

	Type	O. V.	U. V.	D. Time	Ph. Seq.	Ph. Loss	Asy
3P3W	YX7620A01	0-30%	0-30%	ON:0.1-10S OFF:0.1-10S	✓	✓	5-40%
3P4W	YX762NA01						

□: Operating voltage:
A01:127V-265VAC L/N 220-459VAC L/L

ITEM NO.	YX7620A01 (3P3W)	YX762NA01 (3P4W)
RATED VOLTAGE	AC220-459V (L/L)	AC127-265V (L/N)
FREQUENCY	50/60Hz	
RESPONSE TIME OF RELAY	DELAY ON : 0.1-10S DELAY OFF : 0.1-10S	
CONTACT RATING	8A/250VAC DPDT	
RESET TIME	0.2 Sec Max	
AMBIENT TEMP	-10°C→55°C	
SETTING ERROR	±10% MAX	
REPEAT ERROR	±2% MAX	

OPERATION CHART (3P3W 3P4W)

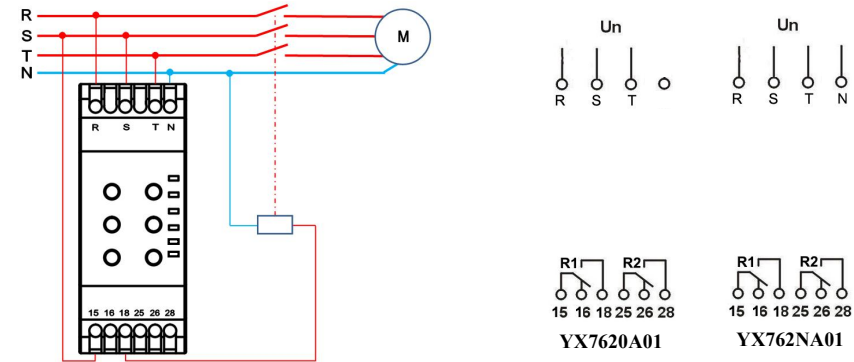


★ Asymmetric Voltage Function:

$$\frac{(\text{The highest voltage of phase a,b,c}) - (\text{The lowest voltage of phase a,b,c})}{(\text{The highest voltage of phase a,b,c})} \% \geq \text{Asymmetric voltage limit } 5\% - 40\%$$

t1=0.1-10S delay off t2=0.1-10S delay

WIRING DIAGRAMS



If you experience problems, do not immediately return the unit to the store.

Email the Timeguard Customer Helpline: SUE@yaoxuele.com

or call the helpdesk on 0086-577-57570388

Qualified Customer Support Coordinators will be online to assist in resolving your query.

